

WallHung
SMART TOILET
AussieLux S005

Installation and usage instructions



Pre-reading instructions

1. Please read this manual carefully before installation and use;
2. The appearance of the product is subject to the actual..
3. For product functions, please refer to the configuration of the model actually purchased.
4. Please keep the instruction manual properly and take it out to read when necessary.

Table of Contents

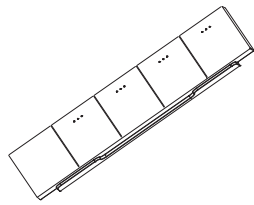
1、 Accessories List	02
2、 Tools Preparation	02
3、 Brackets and water and electricity Pre-installation	02
4、 Smart Toilet Installation	04
<hr/>	
5、 Product Introduction	08
6、 Safety Precautions	10
<hr/>	
7、 Remote Control Operating Instructions	13
8、 Knob Operation Instructions	15
<hr/>	
9、 Troubleshooting	16
<hr/>	
10、 Maintenance	17
11、 Product Specifications	18
12、 Instructions on Environmental Protection	19
13、 Energy Efficiency and Water Efficiency	20

Accessories List

Smart Toilet Accessories



Instructions and other documents



Remote control and wall mount bracket



Remote control batteries (AA type) X2



Expansion screws for remote control X2



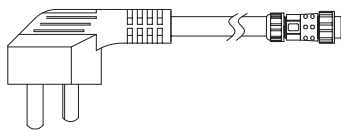
Battery Pack



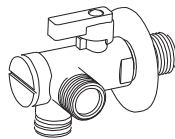
Bubble Foam



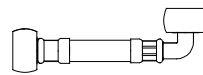
Cap for screw hole



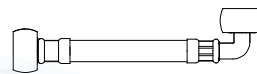
Power cable



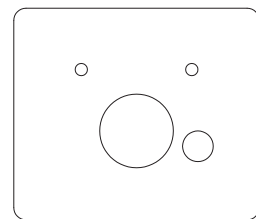
Valve: Inlet 1/2 inch
Outlet 1/2 inch



Hose for flushing tank (35cm)

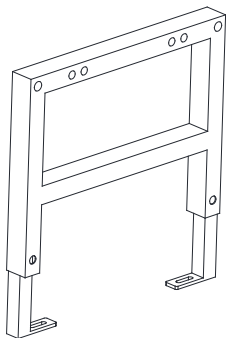


Hose for bidet (40cm)

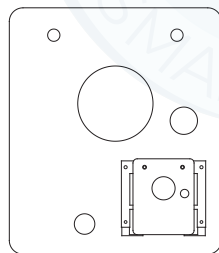


Cushion pad

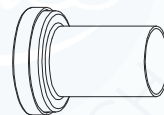
In-Wall Bracket Accessories



In-Wall bracket



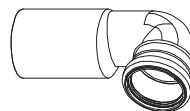
Install positioning indicator plate



Sewage straight pipe



Pipe holder



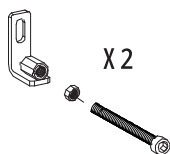
Sewage elbow



Elbow plug



Silicone oil sponge



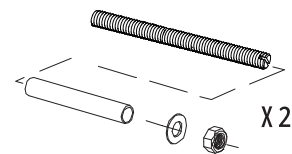
Wall fixation plate and its bolt set (M11) X2



Bracket fixation expansion screw set

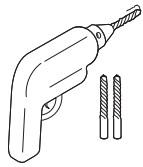


Plastic sleeve

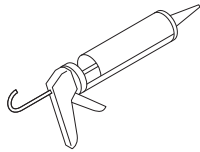


Toilet fixing bolt set (M12) X2

Tools Preparation



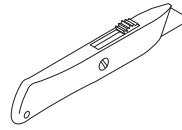
Impact drill



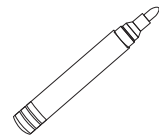
Caulking gun



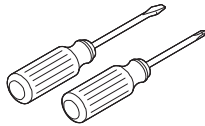
Seal Tape



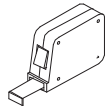
Cutter



Marker pen



⊕ ⊖ Screwdriver



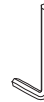
Band tape



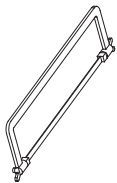
Measuring cup



Wrench



hexagonal wrench



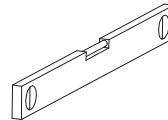
Saw



Wire strippers



rasp



leveling instrument

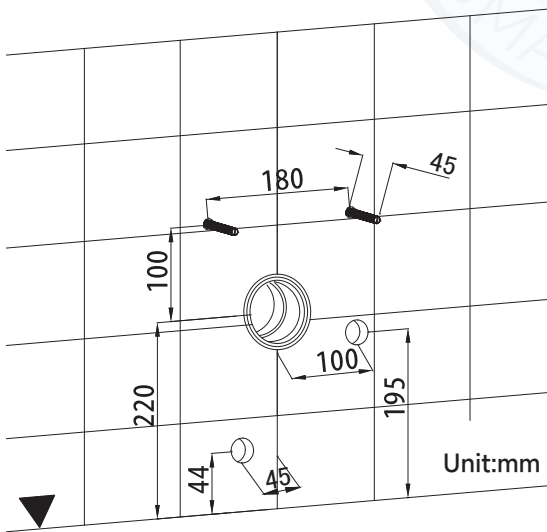


straightedge

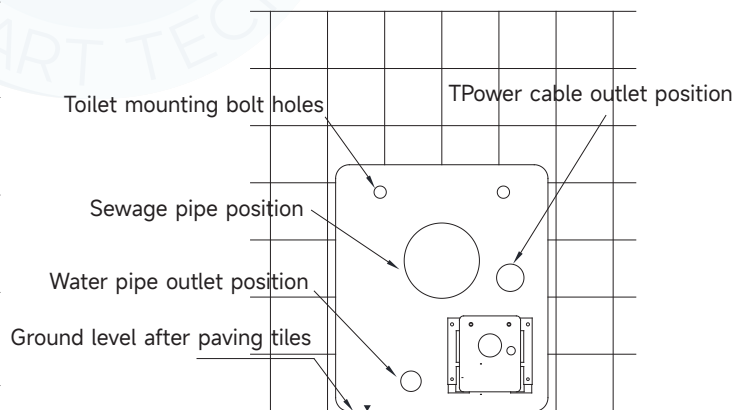
Brackets and water and electricity Pre-installation

1.Dimension requirements after finishing installation.

2.Determine the location of water and electricity installation.

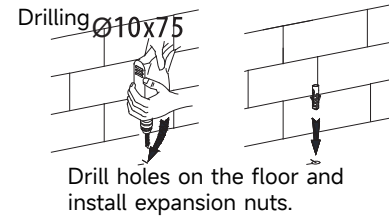
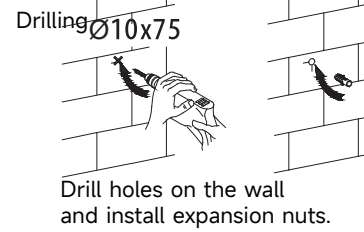
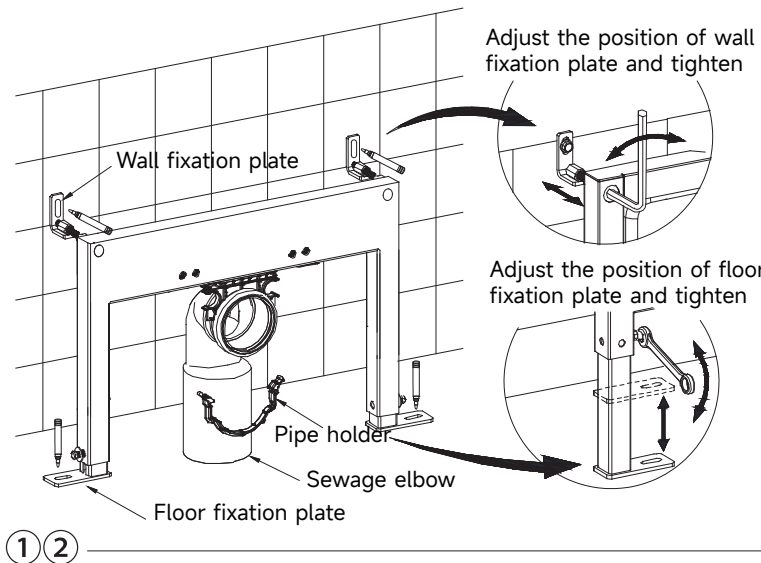


▼ Ground level after finishing installation



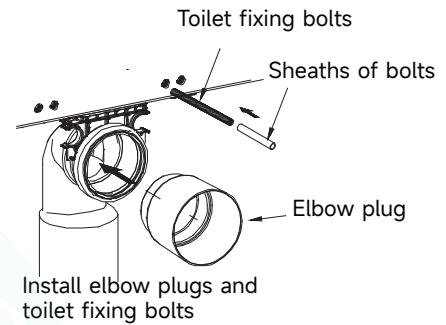
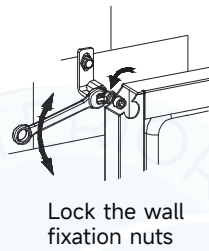
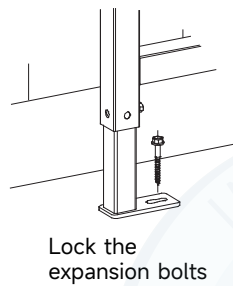
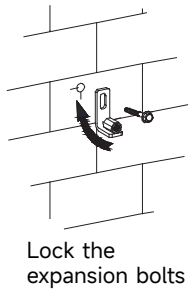
According to the Installation positioning indicator plate , mark the positions of bolt holes, sewage pipe, water pipe outlet (water valve installation position) and power cable outlet ; (Note: The back of indicator plate is the tiling wall, please follow the actual tiling to make adjustments accordingly).

3. Adjust and fix the bracket



① ②

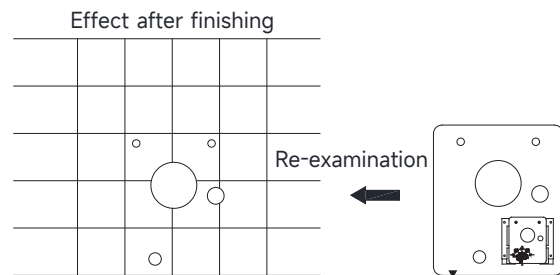
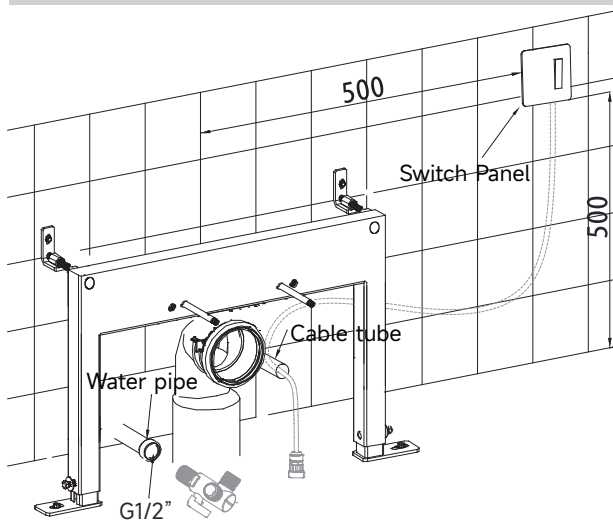
③



④ ⑤ ⑥

- ① Install the sewage elbow to the bracket, fasten it with pipe holder, and connect it to the external pipeline;
- ② According to the mounting bolt hole positions, adjust the height of the floor fixation plate and the length of the wall fixation plate and perform pre-tightening;
- ③ Mark the drilling position for the wall and floor fixation. After drilling, install the expansion nuts;
- ④ After aligning the bracket with the installation position, fix and pre-tighten it by corresponding screws;
- ⑤ According to the marked water and electricity installation position, minute adjust the bracket to ensure that the position of the bracket is accurate and level, and then tight the floor fixation screws, wall fixation screws, and wall fixation bolts;
- ⑥ Insert the sewage elbow pipe into elbow plug, and install the bolts and sheaths into the toilet's bolt holes.

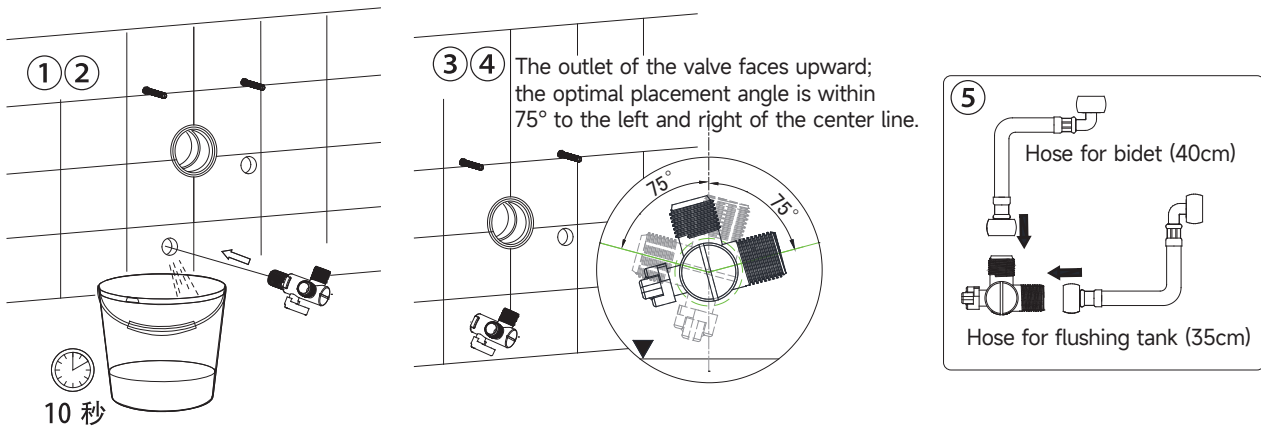
4. Water and electricity pre-installation and wall building and tile laying.



- ① Fix the water pipe (internal tooth G1/2") at the designated position and install the plug;
- ② Fix the cable tube at the designated location, and perform anti-blocking treatment at the outlet;
- ③ Pre-installed switch panel for independently controlling the ON and OFF of the smart toilet ;
- ④ Use installation indicator plate to recheck after the wall building and tile laying. Ensure that the relevant positions are correct, and then remove the remaining sediment;

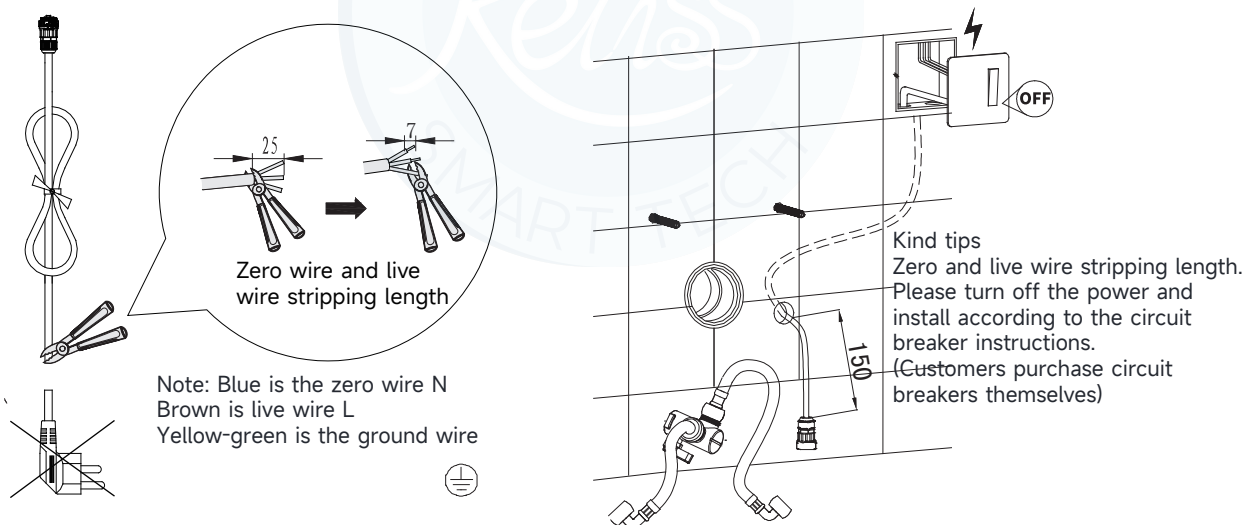
Smart Toilet Installation

1. Water pipe installation



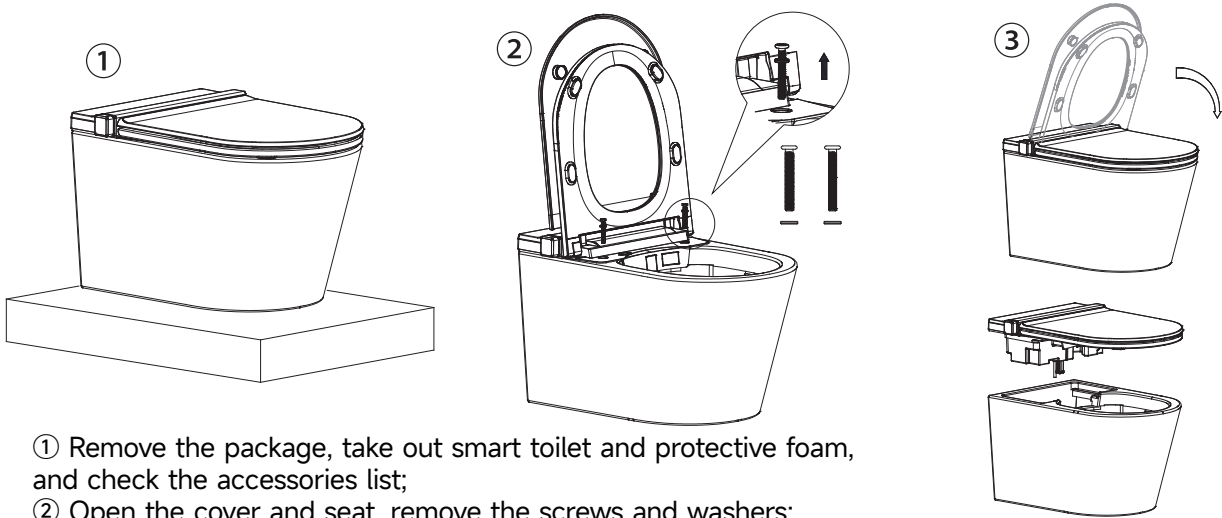
- ① Unscrew the plug of the water outlet pipe, remove the sediment on the inner and outer of the pipe, and turn on the external water pipe switch to pass the water for 10 seconds to remove residual impurities;
- ② Then turn off the external water pipe switch and measure the total water output for 10 seconds to ensure it reaches more than 1.4L, otherwise the best flushing effect cannot be achieved;
- ③ Wrap seal tape around the screw thread of the water inlet end of the three-way valve, and then screw it clockwise into the outlet of the water pipe to ensure that the valve is placed within a reasonable range;
- ④ Turn on the external water pipe switch and observe to ensure there is no leakage at the joint;
- ⑤ Install the bidet hose and water tank hose on the corresponding water outlet of the valve.

2. Power cable connection

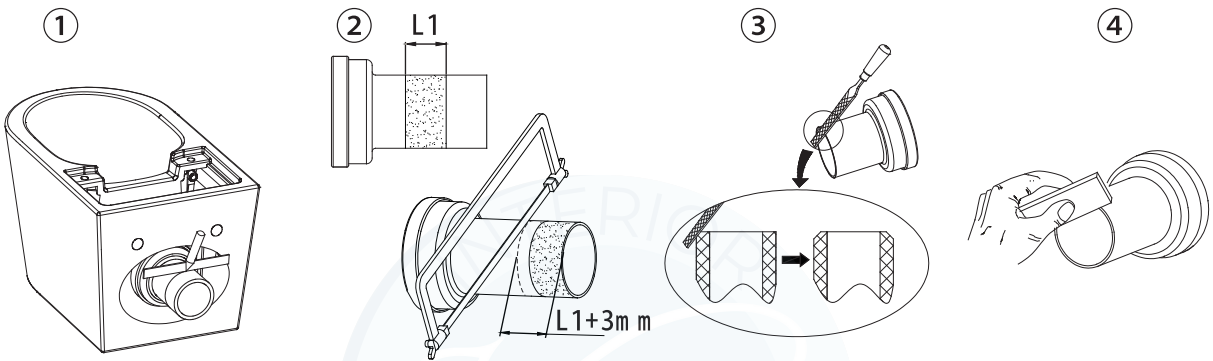


- ① Cut off the power cord plug. After the power cord is inserted into the wall, about 150mm of the power cord is exposed on the wall;
- ② Peel off the power cord and ensure that the ground wire is 5mm longer than the zero and live wires;
- ③ Connect the power cord to the switch panel, make sure that the zero, fire, and ground wires are connected correctly, then tighten the wiring screws and cover the switch panel.

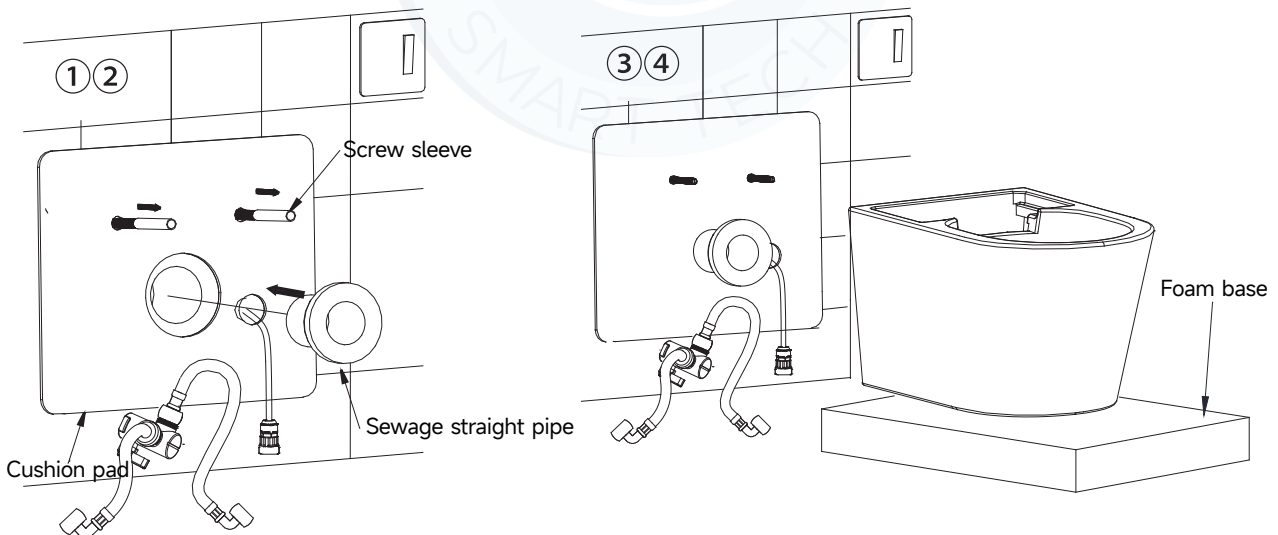
3.Smart Toilet Installation



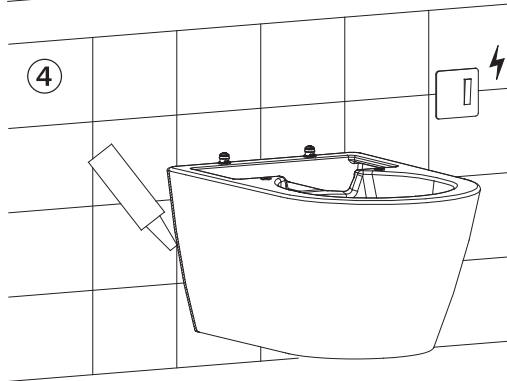
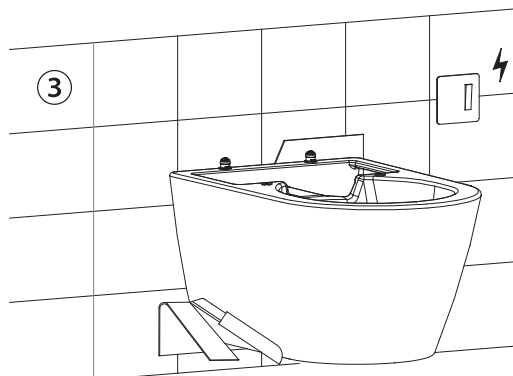
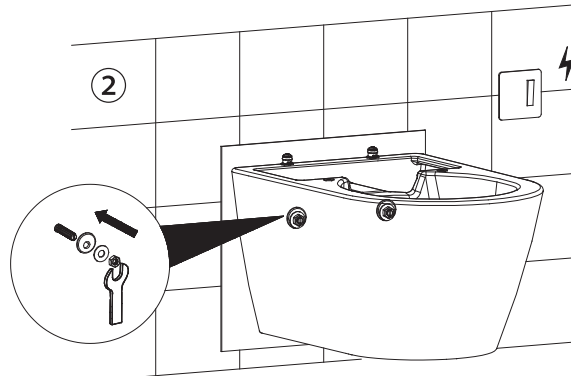
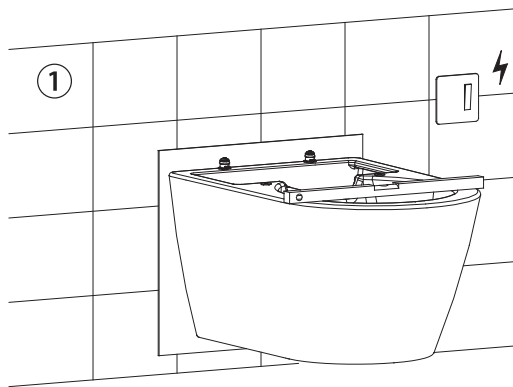
- ① Remove the package, take out smart toilet and protective foam, and check the accessories list;
- ② Open the cover and seat ,remove the screws and washers;
- ③ Close the cover and seat , remove the cover unit, paying attention to protecting the appearance.



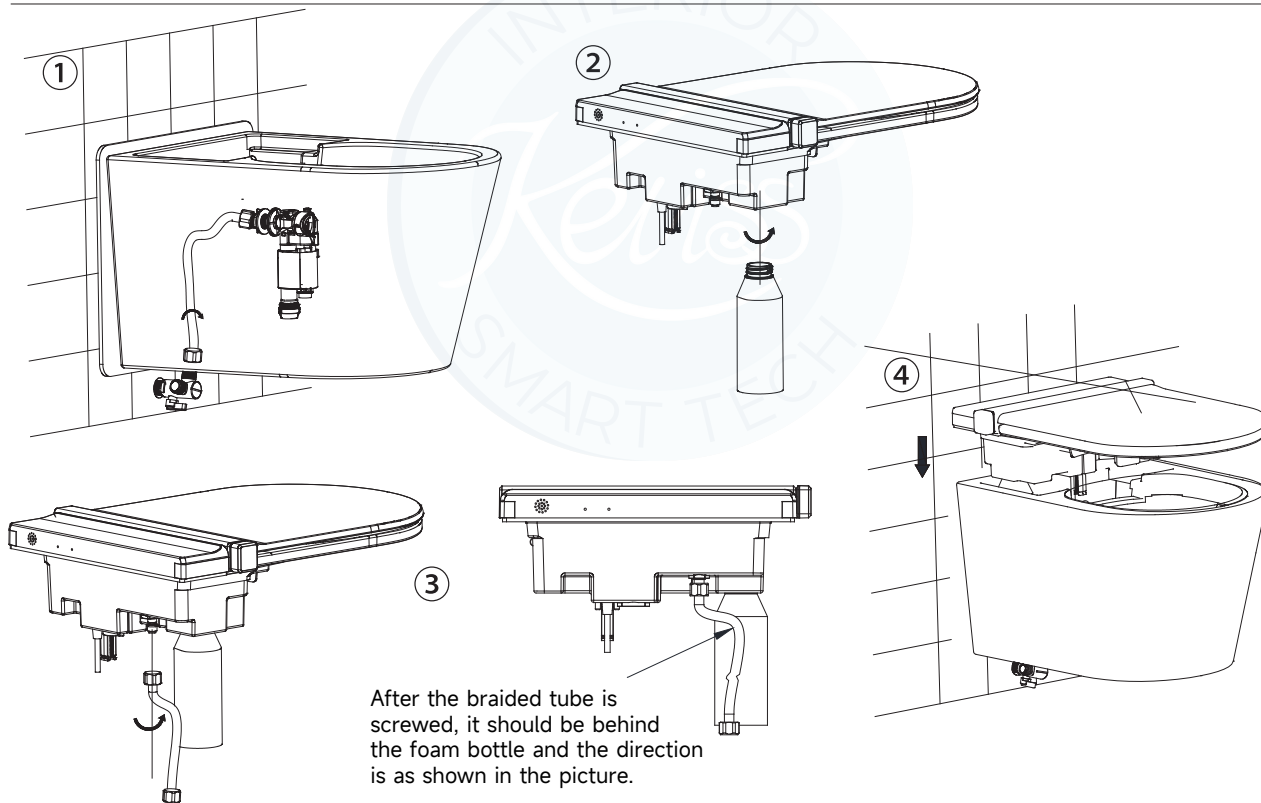
- ① Check the length of the sewage pipe;
- ② Saw off the excess pipe length;
- ③ Grind and chamfer the ends of the elbow pipes and remove the burrs;
- ④ After polishing, apply silicone oil to the end face.



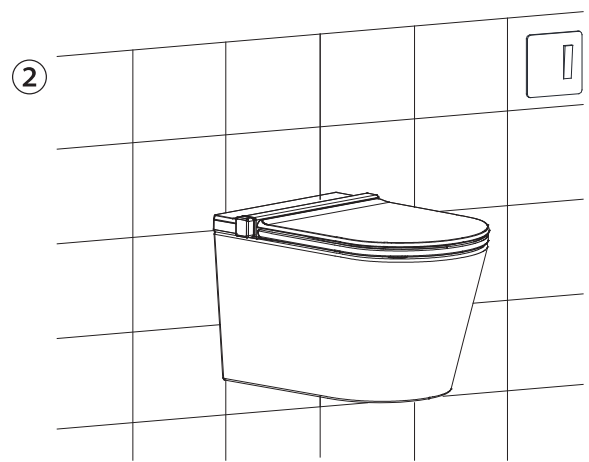
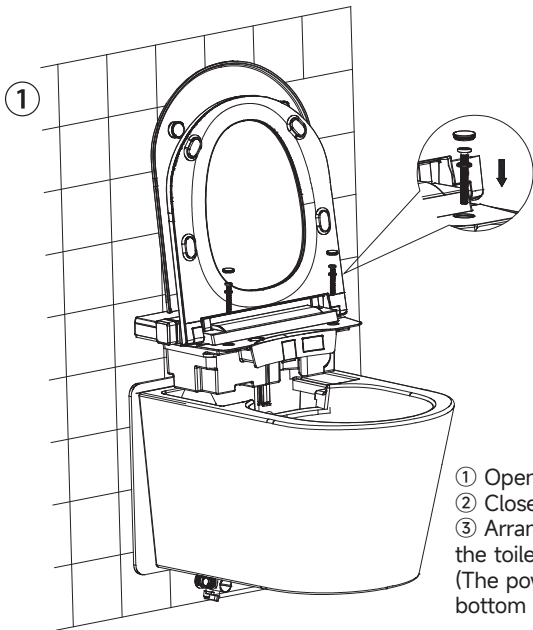
- ① Level the toilet with a spirit level;
- ② Insert the plastic sleeve and lock the nut gasket;
- ③ Cut off the excess cushion pad;
- ④ Apply glass glue around the toilet.



- ① Level the toilet with a spirit level; ② Insert the plastic sleeve and lock the nut gasket; ③ Cut off the excess cushion pad; ④ Apply glass glue around the toilet

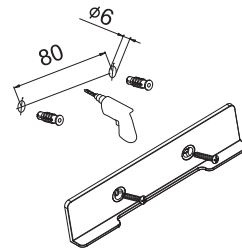
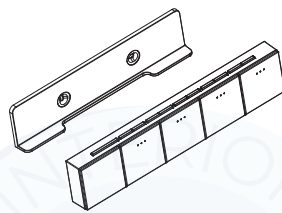
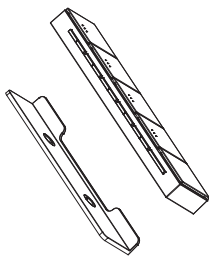


- ① Connect the hose of water tank to the inlet valve of water tank and lock it;
 ② Screw the foam bottle into the cover unit, connect the wire of pump, foot sensor and power cord respectively;
 ③ Put the cover unit into the toilet, connect the hose of bidet to the inlet valve of cover unit and lock it;
 ④ Put the cover unit into the toilet, adjust the alignment and make uniform gap.



- ① Open the cover and seat, lock the screws, and insert the decorative cap;
 - ② Close the seat and cover, finish the installation of smart toilet ;
 - ③ Arrange the power cord and buckle it to the cable clip at the bottom of the toilet;
- (The power cord and leakage protector are not allowed to be exposed on the bottom of the toilet)

4.Remote Control Installation



Method 1

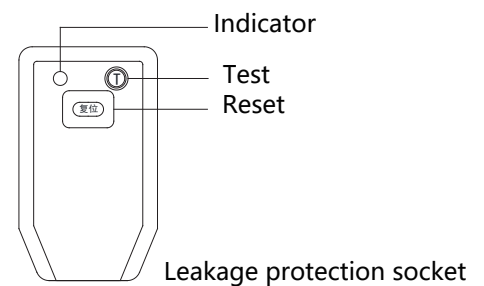
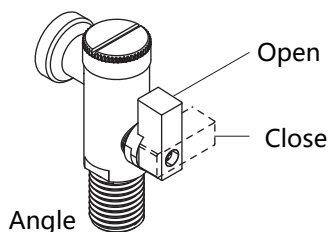
(Apply for smooth tiles, glass and smooth wall)

1. Choose proper installation location (Not easy to get wet , easy to takeout or operate);
2. Clean the dust, oil stains, water droplets etc. on the installation wall;
3. Peel off the adhesive tape on the back of the remote control bracket, align the position, and press evenly for 1-2 minutes to make it stick tightly; Placing the remote control after 12 hours;

Method 2

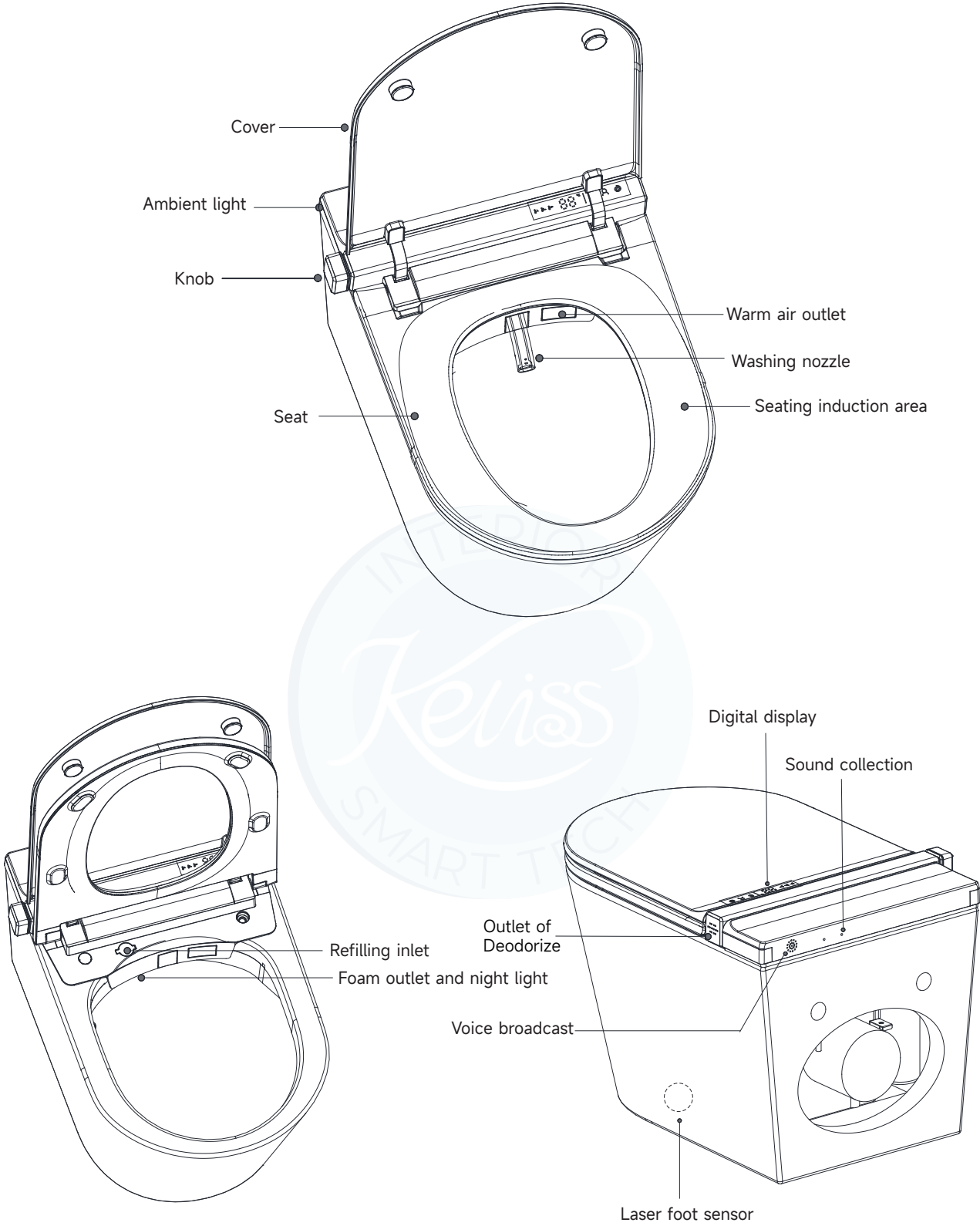
1. Choose proper installation location (Not easy to get wet , easy to takeout or operate);
2. Fix the bracket on the wall by installation accessories pack;
3. Place the remote control on the bracket;

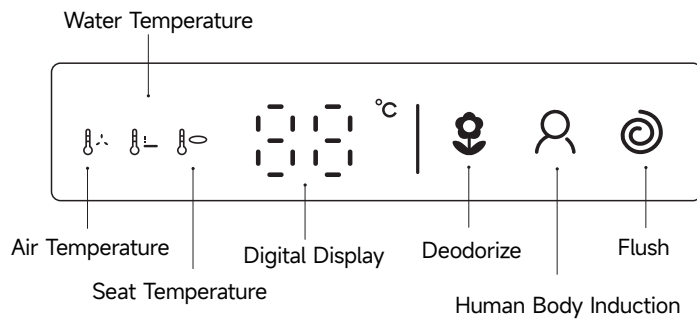
5.Checking after Installation



- ① Turn on the valve to pass the water, and check if there is leakage in the pipeline connections
(※ If there is leakage, please re-tighten the nuts and install again);
- ② Power on and check the leakage protection switch : press the [Reset] button, the indicator lights up, then press the [Test] button, the indicator will go out, and then press the [Reset] button again, the indicator will light up, then Smart toilet can be used normally.
- ③ Press the [Flush] button on the smart toilet or remote control to check the flushing effect meets the requirements and is there leakage at the joints of each pipe;
- ④ Check above and there are no problem, you can perform other functions according to the instructions to check whether each function is normal;

Product Introduction

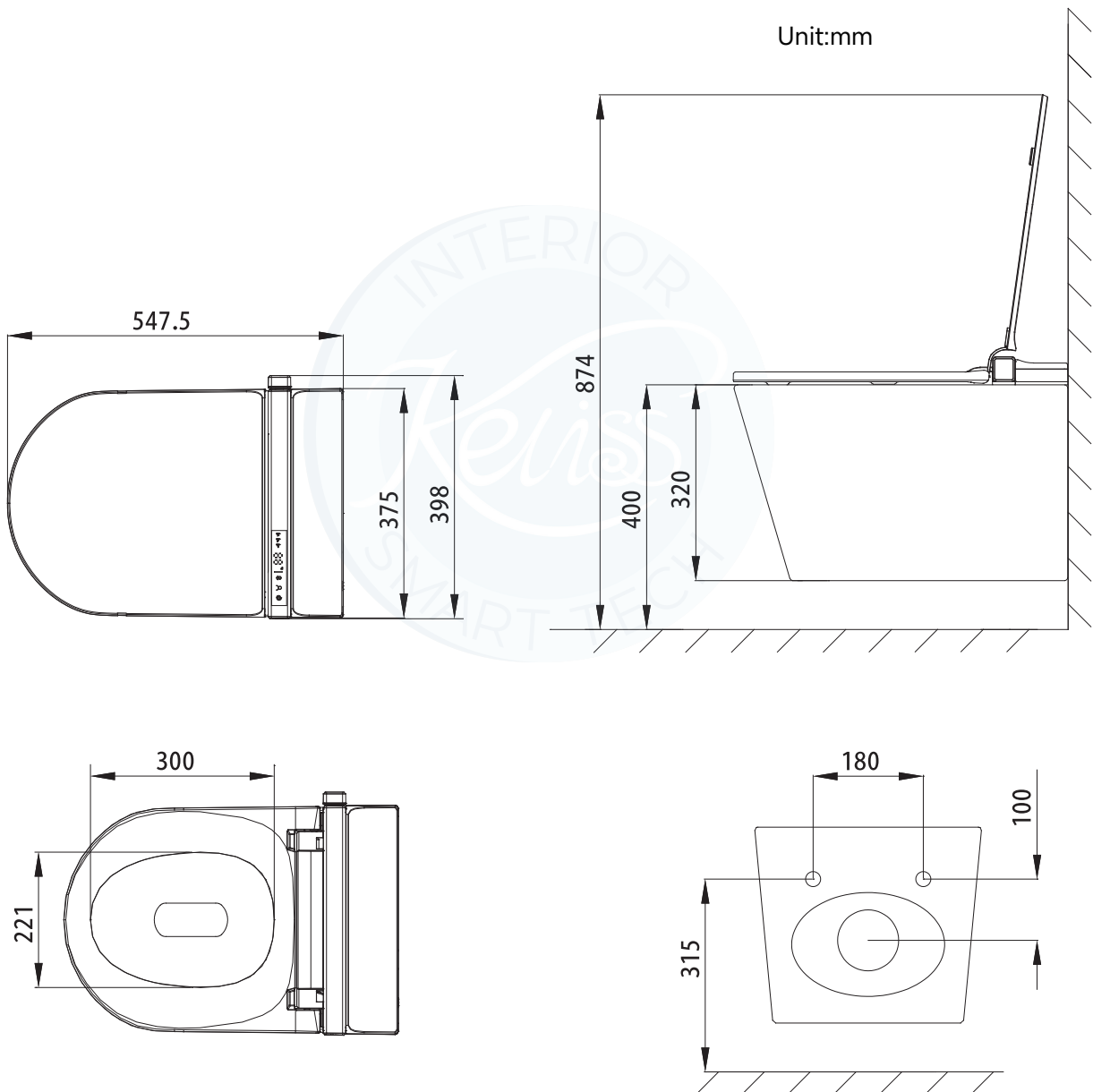




Error Code Indication

- E1 Seat temperature sensor failure
- E2 Seat over temperature
- E3 Air temperature sensor failure
- E4 Water temperature sensor failure
- E5 Water flow sensor failure
- E6 Water over temperature
- E7 Communication failure between main board and sub board

Product Dimension











Safety Precautions

Precautions before installation (for safety purpose, please be sure to follow them)




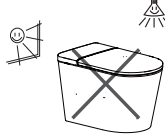




The following precautions are closely related to safety and may have major consequences depending on the situation, so please be sure to abide by them.

	Warning	Means that if you ignore this sign and operate incorrectly, Person injury or death may occur.
	Caution	Means that if you ignore this sign and operate incorrectly, Person injury or property damage may occur.
	Warning	<ul style="list-style-type: none"> ● The Power socket should be used within the prescribed range. If over the specified range, it will cause the socket heat up and cause a fire. ● The power socket must be equipped with earth wire. Please leave wiring installation to the electrical installation company. Do not plug in power cord into the socket before installation is completed to avoid error. ● Danger! There is a risk of electric shock. Cut off the power supply before operation. ● Caution! Before installing the product, please close the main water inlet valve to avoid water leakage and property damage. ● Caution! There is a risk of harmful gases. If the smart toilet cannot be installed immediately, you can temporarily cover the sewage outlet on the ground with an cloth.
	Note	<ul style="list-style-type: none"> ● Comply with all local plumbing and electrical codes . Power and water pipes should be wall mounted. ● he length of power cord is approximately 1.5 meters. Install the power socket within the reach area of power cord . Socket should be higher than floor where it will not be easily wet by water. ● Inspect the smart toilet carefully to check is there any damage. ● In winter, when the product is transported over long distances or stored for a long time, the remaining water in the product may freeze. In order to prevent damage caused by freezing, the product must be placed in a warm room for 30 minutes to allow it to defrost naturally before installation as well as water and electricity connection.

Safety Precautions

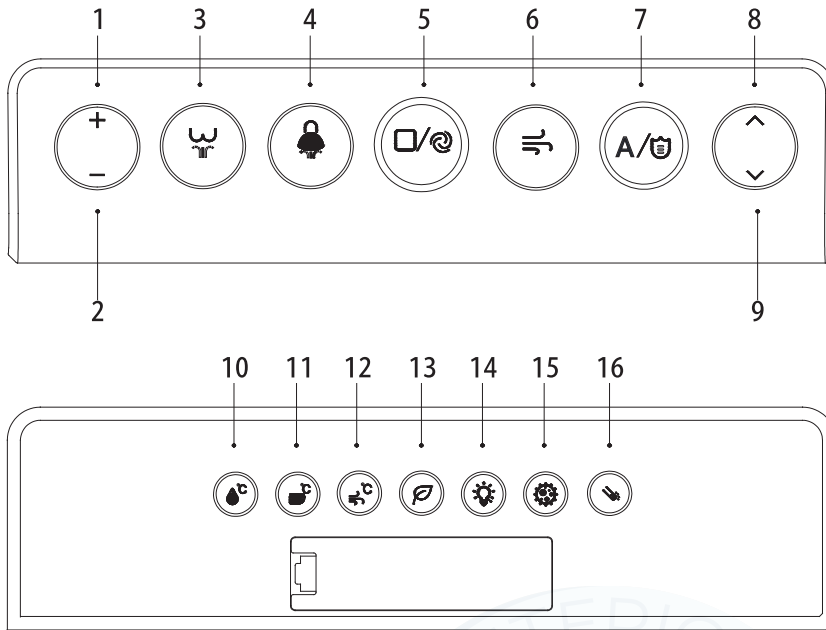
 Warning		
 Must be obeyed	<ul style="list-style-type: none"> ● Caution : Low Temperature Burns <ol style="list-style-type: none"> ① When sitting on the seat for a long time, please setup the seat temperature as normal temperature. ② When the following people use the product, please setup the seat temperature as normal temperature. <ul style="list-style-type: none"> ▪ The elderly and children who cannot adjust seat temperature by themselves. ▪ Disabled or patients who are limited mobility. ▪ People with drowsiness who have taken sleep-promoting drugs (such as sleeping pills, cold medicine, etc.), drank heavily and were overtired. 	
	<ul style="list-style-type: none"> ● Make sure the power plug is inserted in place. If it is not fully inserted, it may cause electric shock or heat and cause a fire. ● Be sure to disconnect the power supply when cleaning. 	
 Prohibit	<ul style="list-style-type: none"> ● Do not plug or unplug the power plug with wet hands, otherwise it may cause electric shock. 	 
	<ul style="list-style-type: none"> ● Do not continue to use the product if it malfunctions In the following situations, please unplug the power plug and close the water inlet valve 	
	<ul style="list-style-type: none"> ● Do not damage or replace the power cord, power plug and connecting cable without permission <ol style="list-style-type: none"> ① If it is still used if it is damaged, it may cause electric shock, short circuit, or fire. ② The power cord of this product adopts Y-shaped connection. If the power cord is damaged, it must be replaced by our company or professional service person authorized by our company. 	
	<ul style="list-style-type: none"> ● Do not use other water sources other than tap water <ol style="list-style-type: none"> ① Otherwise it will cause problems such as dermatitis; ② If foreign matter is mixed in and accumulated inside it, which may cause malfunction. 	
	<ul style="list-style-type: none"> ● Patients with pacemakers should not use this product Otherwise, electromagnetic interference will be generated, which may damage the function of the pacemaker and cause life-threatening consequences. 	
	<ul style="list-style-type: none"> ● Do not put lit cigarettes into the toilet or place hot or flammable objects near the toilet. Otherwise it may cause fire. 	 
	<ul style="list-style-type: none"> ● This product should not be used by persons with reduced physical, sensory or mental capabilities, or lack of experience and knowledge (included children). Unless they have been supervised or instructed in the use of the product by a person responsible for safety. ● Do not let children play on the seat or cover. Do not step on or sit on the cover. Otherwise, it may cause malfunction and safety accident. 	

Safety Precautions

 Warning		
 Must be obeyed	<ul style="list-style-type: none"> Do not sit on cover, otherwise the cover may be damaged. 	
	<ul style="list-style-type: none"> Do not leave the product under strong light or direct exposure to sunlight for a long time, otherwise it will cause discoloration of plastic parts and unstable seat temperature. 	
	<ul style="list-style-type: none"> Please do not impact the ceramic bowl to prevent damage and leakage 	
	<ul style="list-style-type: none"> Do not bend or twist the water supply pipe, otherwise water leakage may occur due to loose connections. 	
	<ul style="list-style-type: none"> Do not flush other things other than excrement and toilet paper, otherwise it will cause the toilet to become clogged, sewage to flow out, and indoor water leakage . 	
 Must be obeyed	<ul style="list-style-type: none"> When closing the cover or seat, do not use excessive force otherwise the product may be damaged. 	
	<ul style="list-style-type: none"> Before taking out the filter inside the water valve, the water valve must be closed first, otherwise it will cause water leakage. Once the filter of valve is taken out, it must be tightened when reinstalling it, otherwise it will cause water leakage. 	
	<ul style="list-style-type: none"> When the toilet is clogged, firstly cut off the power, and then use pipe dredger to clear it. If the power is not cut off, the automatic flushing will continue to work, which causes sewage overflow, indoor water leakage, etc. 	
	<ul style="list-style-type: none"> When the room temperature is low (zero Celsius degrees and below), please increase the room temperature. Otherwise, the water pipes and products will be damaged due to freezing, resulting in water leakage. 	
	<ul style="list-style-type: none"> Do not wipe the product body with dry cloth or toilet paper, otherwise it may cause scratches on the product 	
	<ul style="list-style-type: none"> Do not use it when electric outage or water outage, otherwise the product functions will not be implemented and use will be affected. 	
	<ul style="list-style-type: none"> It is strictly prohibited to move the product by the cover, otherwise it may cause mechanical failure. 	
	<ul style="list-style-type: none"> Do not pour urine on the toilet body and nozzle, otherwise it may cause malfunction or cause pink or brown stains. 	
<ul style="list-style-type: none"> During thunder, please unplug the power plug, otherwise it may cause malfunction 		
<ul style="list-style-type: none"> When traveling or not using it for a long time, please cut off the water and electric, otherwise it may cause safety accidents. 		

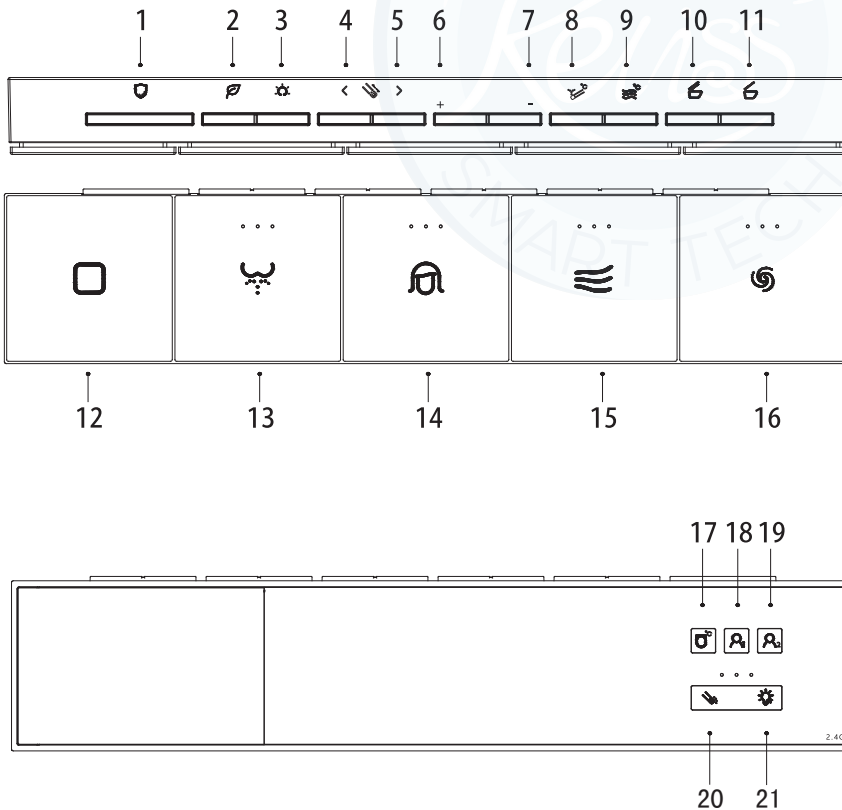
Remote Control Operating Instructions

Remote control for manual model



- 1. Increase washing intensity
- 2. Decrease washing intensity.
- 3. Buttock washing/ One-touch washing
- 4. Female washing/ One-touch washing
- 5. Stop/Flush/Shutdown
- 6. Warm air drying/Air power adjustment/Five-speeds air drying
- 7. Foam Shield/Four Seasons Temperature Sensing
- 8. Washing position forward
- 9. Increase washing intensity /Washing position backward.
- 10. Water temperature adjustment
- 11. Seat temperature adjustment
- 12. Air temperature adjustment
- 13. Aromatherapy
- 14. Night light/Ambience lights
- 15. UV sterilization
- 16. Massage washing mode/Self-cleaning

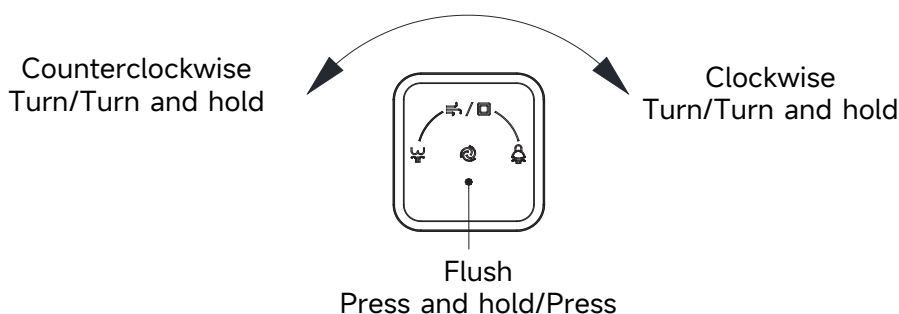
Remote control for automatic model



- 1. Foam Shield/Infrared Therapy
- 2. Aromatherapy
- 3. Ambient light/Automatic ambient light
- 4. Washing position backward
- 5. Washing position forward
- 6. Increase washing intensity
- 7. Decrease washing intensity
- 8. Water temperature adjustment
- 9. Air temperature adjustment
- 10. Open/close the seat
- 11. Open/close the cover
- 12. Stop/Shutdown
- 13. Buttocks washing/One-touch washing
- 14. Female washing/One-touch washing
- 15. Drying/Air strength adjustment/ Five-level foam shield/Infrared physiotherapy Air drying
- 16. Flushes
- 17. Seat temperature adjustment/ Four-season temperature sensing
- 18. User memories
- 19. User memory
- 20. Massage washing/Self-cleaning/ Automatic UV sterilization
- 21. Night light

Button / Function	Function description
Remote control code matching	Within 10 seconds after the toilet is powered on, long press the "Buttocks Wash" button, the toilet beeps once, indicating that the code is successfully matched. (※only for manual model) After the toilet is powered off for 10 seconds, long press the "Butt Wash" and "Foam Shield" buttons at the same time until the indicator light flashes. Then power on within 10 seconds, the remote control indicator light stops flashing, and the toilet beeps, indicating that the code is successfully matched. (※only for automatic model)
Stop	When toilet is working, short press the "Stop" button to stop the current function (Except open the cover/seat and flushing); long press the "Stop" button to shut down (Once shutdown, lighting, display , and seat heating are turned off , all functions disabled).
Flush	When no other functions are running, short press the "flush" button to start the flushing function.
Buttocks washing/ Mobile washing/ One-touch washing	While seated, short press "Buttock Wash" button to start the buttock washing function; Press it again to start mobile washing.While seated, long press "Buttock Wash" button to start the one-touch washing function. Washing → Drying → end.
Female washing/ Mobile washing/ one-touch washing	While seated, short press the "Female Wash" button to start the female washing function; Press it again to start the mobile washing;While seated, long press the "Female Wash" button to start the one-touch washing function. Washing → Drying → end..
Massage Washing	During washing , short press the "Massage" button to turn on/off massage washing.
Warm air drying	While seated, short press the "Drying" button to start the drying function.
Water Temperature Adjustment	During washing status or non Four-Season temperature sensing mode, short press the "Water Temperature" button, the water temperature will be selected between normal /low /medium /high grade.
Air Temperature Adjustment	During drying or non-Four-season temperature sensing mode, short press the "Air temperature" button, the air temperature will be selected between normal /low /medium/high grade.
Seat Temperature Adjustment	While seated or non-Four-season temperature sensing mode, short press the " Seat temperature"button ,the seat temperature will be selected between normal /low /medium /high grade.
Washing Position Adjustment	During washing status, short press the "<" key, the washing position moves backward; short press the ">" key, The washing position moves forward (there are 5 positions grades).
Washing Intensity Adjustment	During washing status, short press the "+" key to increase the washing intensity; short press the "-" key to decrease the washing intensity: (there are 5 washing intensity grades).
Open/Close the seat	(※Only for models with this configuration) When not seated, press the [Open/close seat] button to open/close the seat;
Open/Close the cover	(※Only for models with this configuration) When not seated, press the [Open/close cover]button to open/close the cover;
Foam shield	When no functions are running, short press the "Foam Shield" button to start the foaming function (※only for models with this configuration)
Infrared therapy	※This series does not have this configuration
UV sterilization	When not seated, long press the "Sterilization" button to start the UV sterilization function, which will automatically end in about 2 minutes or when other functions are operated or human body is sensed; (※Only for models with this configuration and the manual model) (Note: Make sure the cover is close before starting! If you want to open the cover during sterilization, please stop the sterilization function first!)
Automatic UV sterilization	Long press the "Sterilization" button to turn on/off the automatic UV sterilization function. When the automatic UV sterilization starts, the UV sterilization function will automatically turn on when the cover is close, and it will automatically end after about 2 minutes or when other functions are operated or human body is sensed; (※only for models with this configuration)
Four seasons temperature sensing mode	Long press the "Four Seasons Temperature Sensing" button to turn on/off the four seasons temperature sensing mode. Four Seasons Temperature Sensing Mode: Water temperature, air temperature, and seat temperature are automatically adjusted according to the ambient temperature. (While seated, the temperature can be adjusted manually. Return to sensing temperature mode after the function ends: the temperature cannot be adjusted when not seated.)
aromatherapy	※This series does not have this configuration
Ambient Light	Long press the "Ambient Light" button to switch the ambient light modes. (※Only for manual model) . Short press the "Ambient Light" button to switch the ambient light mode; long press the "Ambient Light" button to enter the automatic ambient light mode. (※ Only for automatic models)
Night light	Short press the "Night Light" button to turn on/off the night light;
User Memory	While seated, long press the "User 1"/"User 2" button to memorize the corresponding water temperature, air temperature, seat temperature, water pressure, position, and air speed; short press the "User 1"/"User 2" button , adjust the function gear to the parameters set by the user; (※Only for models with this configuration)
Self-cleaning	While non-seated, short press "Self-Clean" to start automatic cleaning of the spray boom and nozzle. (Short press again to turn on/off the reciprocating movement of the boom)

Knob Operation Instructions



Button/Function	Function description
	While seated, short counterclockwise rotate to start buttock washing function; During the washing, short counterclockwise rotate to move nozzle backwards; During the washing, long counterclockwise rotate to turn on/off the mobile washing function.
	While seated, short clockwise rotate to start female washing function; During the washing, short clockwise rotate to move nozzle backwards; During the washing, long clockwise rotate to turn on/off the mobile washing function.
	In the state of non-functional operation, short press the knob to flush; in the state of functional operation, short press to stop the current function. In non-seated state, long press to turn on the atmosphere light; in the seated state, long press to start the drying function.

Other functions description

Button/Function	Function description
Automatic foam shield function	Once human seated, it automatically starts the foaming device, the foam outlet discharge the foam to prevent splashing and isolate odor. Foam covers the whole water surface; (this function is closed as default) (Automatic Foam Shield Starting Conditions: 1. Seating again in 30 seconds since last seat leaving. 2. The interval since the last foaming is more than 1 hour and there is no flushing.)
Automatic flushing after leaving seat	The seating time is more than 6 seconds and there is no flushing before leaving the seat, automatic flushing after leaving seat. (This function is active by default)
Wet the toilet bowl after seated	After 30s since left the seat, once seated, the upper water flushes automatically to pre-wet the inner surface of the toilet bowl (the function is active as default)
Foot-sensitive function	(※ Only for manual model) In the state of non seated, short touch the foot switch to start flushing;
	(※ Only for automatic model) In the state of non seated, short touch the foot switch: a) Open the cover →, open the seat (less than 6 seconds) ← close the seat. b) Open the cover →, open the seat (more than 6 seconds) → close the seat and flushing. In the state of non-seated, long touch foot switch: Open the seat and cover at the same time.
Automatic deodorization	Once human seated, it automatically starts the chemical catalyst deodorization device. (This function is active by default)
Automatic Open Cover	When human body is close to the toilet, it opens the cover automatically. When there is no operation or no human body approaching, it close the cover for about 2 minutes (if the seat is opened more than 6s and no flushing during this period, it closes the cover and flush) (※Only limited to this configuration model)
Flush without electric power	In the state of power outages, short press the knob to start the flushing function.

Troubleshooting

If a similar fault occurs, please read the following content carefully and refer to the corresponding handling methods to troubleshoot. If the problem is still not solved, please contact the seller or after-sales service center.

Items	Fault phenomenon	Fault analysis	Fault treatment
Power supply	Product does not work	Is the cable or socket loose?	Check Electric connection.
		Check the leakage protector cut off or not (the indicator light of the protector does not light)?	Press the reset button of the leakage protector. If it cannot operate or trips frequently, You must unplug the power plug and stop using the product, Contact the seller or after-sales service center.
		Check the product is powered on or not (No display on panel)	Long press the stop button on the remote control and the display panel will light up.
Washing function	Nozzle can't spray	Check the Seating sensor is workable or not ?	Adjust your sitting posture
		Check the water or power is cut off or not?	Waiting for water and power to be restored
		Check the valve is open or not?	Open valve
		Check the filter device is clogged or not?	Clean filter or replace filter
		Check the water supply pipe is broken or not?	Check the water supply pipes is broken or not
	Washing water is weak	Check the filter device is clogged or not?	Clean filter or replace filter
		Check the water pressure is at low level or not?	Adjust the water pressure grade or turn on massage washing mode
	Nozzle stop output water	Check the washing cycle stop automatically?	Restart the function
		Check the Seating sensor is workable or not?	Adjust your sitting position and restart the function
Check the water is outage or a sudden drop in water pressure?		Wait until the water supply is restored or the water pressure meets the product usage requirements before using it.	
Warm air function	Air temperature is low	Check the air temperature was set at normal temperature or the low grade?	Adjust the air temperature grade
	No air drying	Check the seating sensor is workable or not ?	Adjust your sitting position and restart the function
		Check the drying cycle stop automatically ?	Restart the function
Seat heating	Seat temperature is low	Check the seat temperature was set at normal temperature or the low grade ?	Adjust seat temperature
		Check if the product has just been powered on (the product needs a short time to warm up after powered on)	Wait for product to heat up
		The Four-season temperature sensing mode is ON and the product is on the Summer mode.	Turn off the temperature sensing mode and adjust the seat temperature grade
Remote control	Remote control cannot work	Check the battery is discharged fully or not?	Replace battery
		Check the positive and negative poles of the battery was set correctly?	Install the battery correctly according to the markings
	Button cannot work	Check the Battery is low or not ?	Replace battery
Flushing function	Unable to flush water normally	Check the filter is clogged or not?	Clean valve's filter
		Check the water supply pipe is broken or not?	Eliminate water supply pipes is broken
		Check whether the interval between two flushes is more than 30 seconds (the model with tank)	The flush function is activated when the interval time between two flushes is more than 30s.
		Check the filter is clogged or not (the model without tank)	Unclog pipes

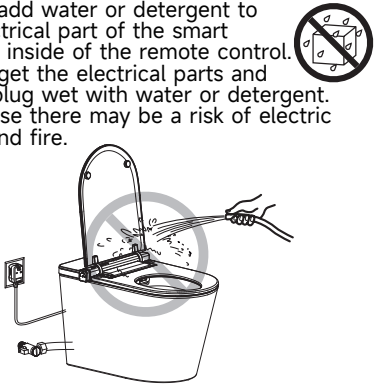
Maintenance

In order to ensure the normal use of the product, please clean and maintain the product regularly

Note that when performing cleaning and maintenance, be sure to unplug the power plug from the socket, close the water supply valve and stop the water supply.

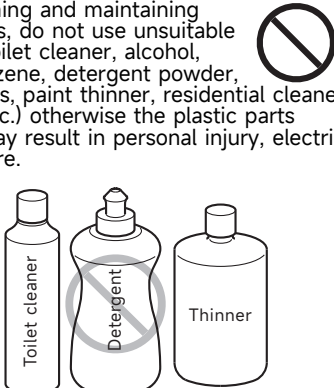
Warning

Do not add water or detergent to the electrical part of the smart toilet or inside of the remote control. Do not get the electrical parts and power plug wet with water or detergent. Otherwise there may be a risk of electric shock and fire.



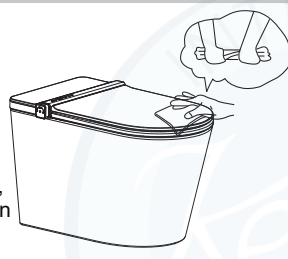
Notice

When cleaning and maintaining plastic parts, do not use unsuitable cleaners (toilet cleaner, alcohol, cresol, benzene, detergent powder, bleach, tinas, paint thinner, residential cleaner, gasoline, etc.) otherwise the plastic parts cracking may result in personal injury, electric shock, or fire.




Cleaning and maintenance methods for covers, seats and other plastic parts.

- Wet soft cloth to clean the product. If the product is dirty, use a soft cloth to wipe it. Wipe with a small amount of diluted neutral detergent, then wipe clean with a clean damp cloth.

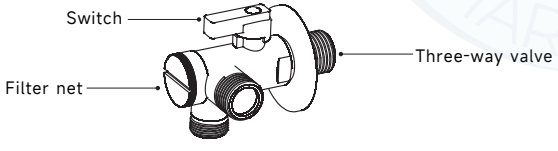


Nozzle cleaning and maintenance methods

- When not seated, press the "self-cleaning" button on the remote control to start self-cleaning. (Short press again to start/stop nozzle moving.) If the nozzle is dirty, clean it with a toothbrush. Do not use too much force when scrubbing the nozzle, otherwise it will damage the washer.



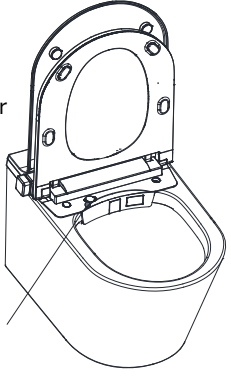
Valve filter maintenance



- Turn the switch clockwise to the off position;
- Use a flat-blade screwdriver or a coin to counterclockwise unscrew the filter net.
- Use a brush to clean the dirt and impurities on the filter.
- Clockwise screw the cleaning filter into the three-way valve, and check to ensure that the filter is installed in place.
- Turn the switch counterclockwise to the fully open position.

Refill bubble foam

- Open the cap of the liquid refilling port;
- Aim at the liquid refilling port (or use a funnel) and slowly pour the foam liquid;
- The amount of liquid added at one time is less than 450ml. After the liquid addition is completed, cover the cap.



Product Specifications

Rated voltage		AC220V/50Hz or AC110V/60Hz
Rated power/Maximum input power		1050W/1700W
Use ambient temperaturer/Water supply temperature		3°C~40°C/4°C~35°C
Waterproof level		IPX4
Waterproof levelWaterproof level		5.0L
Water supply pressure requirements	Clean the toilet	0. 03Mpa-0. 75Mpa (model with tank) 0. 15Mpa-0. 75Mpa (model without tank)
	Body washing	0. 08Mpa-0. 75Mpa
Body washing	Heating and safety	Instant heating 1600W, Over temperature and flame retardant protection
	Buttock washing	450ml~650ml
	Female washing	450ml~650ml
	One-touch washing	Wash, Flush, Dry
	Mobile washing	Swing width is about 15mm
	Bubble massage	Pulse (model without tank)
	Water pressure adjustment	3 grades settings, 450ml~650ml
	Position adjustment	5 grades settings
	Temperature adjustment	Normal temperature/low grade/mid grade/high grade, normal temperature ~ 41°C
Seat heating	Heating and safety	About 50W, over-temperature and flame retardant protection
	Surface temperature	Normal temperature/low grade/mid grade/high grade, normal temperature ~ 41°C
Warm air drying	Heating and safety	About 250W, over-temperature and flame retardant protection
	Warm air temperature	Normal temperature/low grade/medium grade/high grade, normal temperature 55°C
	Air speed adjustment	Five-grades adjustment
Cover/seat open and close	Automatic open and close	Microwave induction, motor drive; can be turned on/off
	Manual open and close	Hydraulic descent device
Comfort assistance	Deodorize	Chemical catalyst
	Foam shield	Foam is for odor-isolation and splashing-proof. The capacity of container is 450ml it can be opened/closed.
	Self-cleaning	Cleaning before use /Maintenance cleaning
	Soft night light	White, can be turned on/off
	Ambient Light	Multiple modes optional
	HD digital display	Status, Temperature, Error display
	Moistening the bowl after seated	Can be turned on/off
	Flush after leaving seat	Can be turned on/off
	Flush during power outage	12~16V battery pack (model with tank)/9V battery pack (model without tank)
	UV sterilization	It lasts about 2 minutes and can end automatically
	Four seasons temperature sensing	Automatic temperature adjustment mode, can be turned on/off
	User memory remote control	User mode, memory water temperature, air temperature, seat temperature, water pressure, position, air speed
Convenient control	Remote control	2. 4G, Powered by two AA batteries
	Knob	Washing/Drying/Flushing/Function settings
	Foot touching button	Open and close /Flushing
Leakage Protector		Maximum load 10A, leakage protection current ≥10mA; power cord length approximately 1.5m
Product Size		548x375x320(mm)
Product Net Weight		Cover unit is 7KG / Whole set toilet is 42KG

Instructions on Environmental Protection

Toilet Energy Efficiency and Water Efficiency levels Instructions

The energy and water efficiency levels of smart toilets are divided into three levels, the 3rd level is the lowest energy and water efficiency. The unit cycle energy consumption, average washing water consumption and average flushing water consumption of each level should comply with the provisions of Table 1.

Table 1 Smart toilet energy efficiency and water efficiency level indicators

Smart toilet energy efficiency and water efficiency levels			Level 1	Level 2	Level 3
Energy efficiency level index	Energy consumption per cycle/(kw.h)	With seat heating function	≤0.030	≤0.040	≤0.060
		Without seat heating function	≤0.010	≤0.020	≤0.030
Water efficiency level index	Average water consumption for washing/L		≤0.30	≤0.50	≤0.70
	*Average water consumption for flushing/L		Comply with the requirements of level 3 indicators in GB 25502		
	*Full water consumption for dual flushing/L				
Note 1: "*" Applies to 70% of all-in-one smart toilets.					
Note 2: For each water efficiency level, the average half-flush water consumption of a dual-flush toilet shall not be more than 70% of the maximum water consumption limit for full flushing.					

Energy Efficiency and Water Efficiency

The names and contents of hazardous substances in the product.

In accordance with the relevant regulations and requirements of the "Administrative Measures for the Restriction of the Use of Hazardous Substances in Electrical and Electronic Products" of the People's Republic of China, the following format including the names of electronic product parts and hazardous substances is provided.

Part Name	Harmful Substance					
	Pb	Hg	Cd	Cr (VI)	PBB	PBDE
Control device	X	○	○	○	○	○
Remote control	X	○	○	○	○	○
Wires and connectors	○	○	○	○	○	○
Housing components	○	○	○	○	○	○
Thermal device	X	○	○	○	○	○
Drying device	X	○	○	○	○	○
Washing device	X	○	○	○	○	○
Waterway components	X	○	○	○	○	○
Labels	○	○	○	○	○	○

This form is prepared in accordance with the provisions of SJ/T 11364. 0: Indicates that the content of the hazardous substance in all homogeneous materials of this part is below the limit required by the GB/T 26572 standard. X: Indicates that the content of the hazardous substance in at least one homogeneous material of the component exceeds the limit requirements stipulated in the GB/T 26572 standard. The components marked with the above "x" currently have no alternative technologies and components, and they comply with the national "Electrical Appliances" Regulatory requirements of the Measures for the Administration of Restrictions on the Use of Hazardous Substances in Electronic Products.

Under the current technical level, the content of harmful substances used is controlled to the lowest level. The Company will continue its efforts to reduce the use of these substances through improved technologies.

The "environmental protection use period" of this product is 10 years. This is shown in the figure on the right. The environmentally friendly use period of replaceable parts may differ from the environmentally friendly use period of the product. Only use this product under normal conditions as described in this manual.

The "environmentally friendly use period" is only valid.



www.keliss.com | hello@keliss.com

CaptaiNext Technology Co., Ltd

1204E, T12,
Smart New City, Jihua 1st Road,
Chancheng District, Foshan City,
Guangdong Province, China

VAT N°. 9144 0600 MA52 U9BU 1L

United States

332 Applegarth Rd, Door 4 - 7,
Monroe Township, NJ 08831

1551 S Lilac Ave, Bloomington, CA, 92316

125 S State St, Back Loading Dock, Orem,
UT 84058

KELISS™ : US Trademark Sr N° : 97567688 EU Trademark N° : 018770909